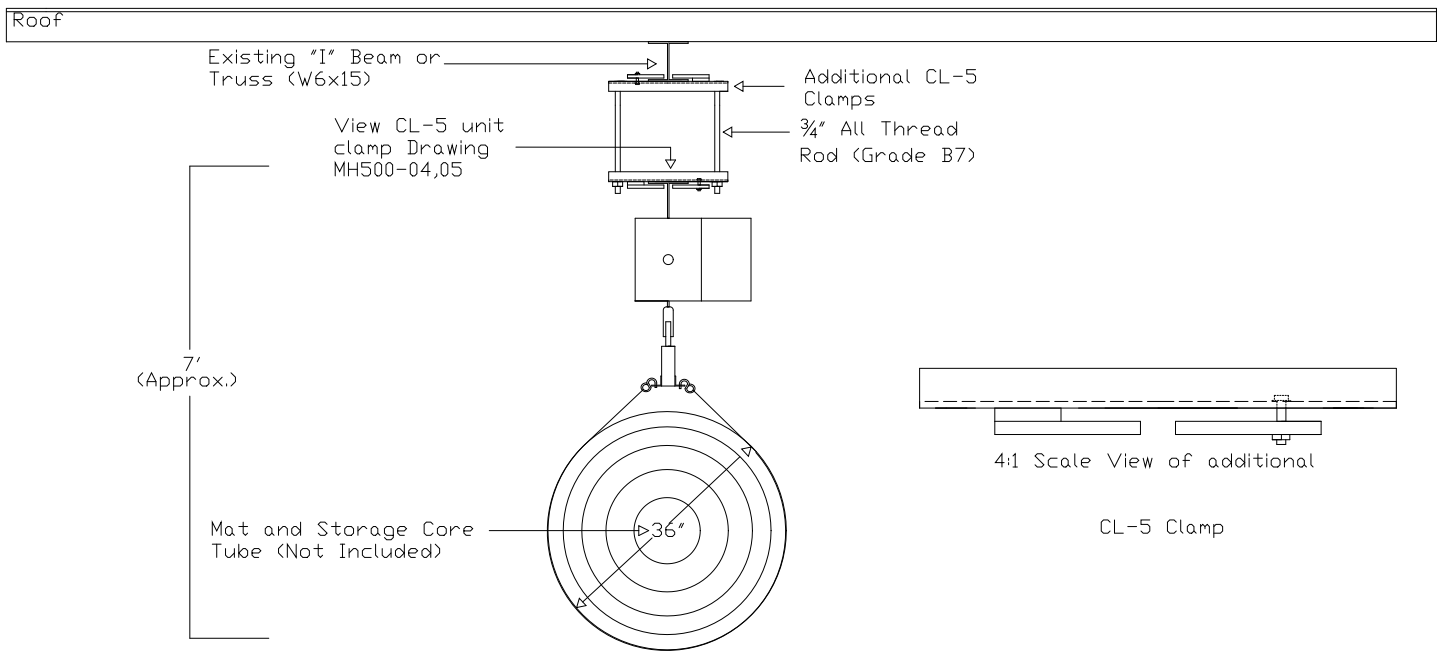


Illustrates: Parallel suspension from a single beam identical to the Mat Hoist frame. Three additional CL-5 clamps required.



Note: Structural Strength of Truss & Wall NDT Responsibility of Mat Hoist Manufacturer.

NGE Inc. P.O. Box 370/Industrial Park 302 North Erickson Roland, IA 50236	Mat Hoist 500 Drawing MH500-18	Phone: (515)-388-4118 Fax: (515) 388-4340 Email: mathoist@mathoist.com Website: www.mathoist.com
--	---------------------------------------	---